

Eden



UNITED STATES PATENT AND TRADEMARK OFFICE

UNITED STATES DEPARTMENT OF COMMERCE  
United States Patent and Trademark Office  
Address: COMMISSIONER FOR PATENTS  
P.O. Box 1450  
Alexandria, Virginia 22313-1450  
www.uspto.gov

APPLICATION NO.	FILING DATE	FIRST NAMED INVENTOR	ATTORNEY DOCKET NO.	CONFIRMATION NO.
09/748,277	12/27/2000	Jac-Lag Ma	8733.363.00	4729

30827 7590 09/07/2005  
MCKENNA LONG & ALDRIDGE LLP  
1900 K STREET, NW  
WASHINGTON, DC 20006

EXAMINER

RUDE, TIMOTHY L

ART UNIT	PAPER NUMBER
----------	--------------

2883

DATE MAILED: 09/07/2005

Please find below and/or attached an Office communication concerning this application or proceeding.

**Office Action Summary**

<b>Application No.</b> 09/748,277	<b>Applicant(s)</b> MA ET AL.	
<b>Examiner</b> Timothy L. Rude	<b>Art Unit</b> 2883	

-- The MAILING DATE of this communication appears on the cover sheet with the correspondence address --  
**Period for Reply**

A SHORTENED STATUTORY PERIOD FOR REPLY IS SET TO EXPIRE 3 MONTH(S) FROM THE MAILING DATE OF THIS COMMUNICATION.

- Extensions of time may be available under the provisions of 37 CFR 1.136(a). In no event, however, may a reply be timely filed after SIX (6) MONTHS from the mailing date of this communication.
- If the period for reply specified above is less than thirty (30) days, a reply within the statutory minimum of thirty (30) days will be considered timely.
- If NO period for reply is specified above, the maximum statutory period will apply and will expire SIX (6) MONTHS from the mailing date of this communication.
- Failure to reply within the set or extended period for reply will, by statute, cause the application to become ABANDONED (35 U.S.C. § 133). Any reply received by the Office later than three months after the mailing date of this communication, even if timely filed, may reduce any earned patent term adjustment. See 37 CFR 1.704(b).

**Status**

- 1)  Responsive to communication(s) filed on 20 June 2005.
- 2a)  This action is FINAL.                      2b)  This action is non-final.
- 3)  Since this application is in condition for allowance except for formal matters, prosecution as to the merits is closed in accordance with the practice under *Ex parte Quayle*, 1935 C.D. 11, 453 O.G. 213.

**Disposition of Claims**

- 4)  Claim(s) 6-12 is/are pending in the application.  
4a) Of the above claim(s) \_\_\_\_\_ is/are withdrawn from consideration.
- 5)  Claim(s) \_\_\_\_\_ is/are allowed.
- 6)  Claim(s) 6-12 is/are rejected.
- 7)  Claim(s) \_\_\_\_\_ is/are objected to.
- 8)  Claim(s) \_\_\_\_\_ are subject to restriction and/or election requirement.

**Application Papers**

- 9)  The specification is objected to by the Examiner.
- 10)  The drawing(s) filed on \_\_\_\_\_ is/are: a)  accepted or b)  objected to by the Examiner.  
Applicant may not request that any objection to the drawing(s) be held in abeyance. See 37 CFR 1.85(a).  
Replacement drawing sheet(s) including the correction is required if the drawing(s) is objected to. See 37 CFR 1.121(d).
- 11)  The oath or declaration is objected to by the Examiner. Note the attached Office Action or form PTO-152.

**Priority under 35 U.S.C. § 119**

- 12)  Acknowledgment is made of a claim for foreign priority under 35 U.S.C. § 119(a)-(d) or (f).  
a)  All    b)  Some \*    c)  None of:  
1.  Certified copies of the priority documents have been received.  
2.  Certified copies of the priority documents have been received in Application No. \_\_\_\_\_.  
3.  Copies of the certified copies of the priority documents have been received in this National Stage application from the International Bureau (PCT Rule 17.2(a)).  
\* See the attached detailed Office action for a list of the certified copies not received.

**Attachment(s)**

- 1)  Notice of References Cited (PTO-892)
- 2)  Notice of Draftsperson's Patent Drawing Review (PTO-948)
- 3)  Information Disclosure Statement(s) (PTO-1449 or PTO/SB/08)  
Paper No(s)/Mail Date \_\_\_\_\_
- 4)  Interview Summary (PTO-413)  
Paper No(s)/Mail Date. \_\_\_\_\_
- 5)  Notice of Informal Patent Application (PTO-152)
- 6)  Other: \_\_\_\_\_

## DETAILED ACTION

### ***Continued Examination Under 37 CFR 1.114***

A request for continued examination under 37 CFR 1.114, including the fee set forth in 37 CFR 1.17(e), was filed in this application after final rejection. Since this application is eligible for continued examination under 37 CFR 1.114, and the fee set forth in 37 CFR 1.17(e) has been timely paid, the finality of the previous Office action has been withdrawn pursuant to 37 CFR 1.114. Applicant's submission filed on 20 April 2005 and 20 June 2005 has been entered.

### ***Claims***

1. Claims 6-11 are amended.

### ***Claim Objections***

Claim 6 is objected to because of the following informalities: The recitation "formed in a rectangular shape having a rectangular opening along a peripheral portion" is confusing because the disclosed rectangular opening is a large centrally located rectangular opening. For examination purposes, "formed in a rectangular shape having a rectangular opening along a peripheral portion" will be considered to be - - "formed in a rectangular shape having a substantially centrally located rectangular opening resulting

Art Unit: 2883

in light shielding layer substantially shielding exclusively the peripheral portion”.

Appropriate correction is required.

### ***Claim Rejections - 35 USC § 103***

The following is a quotation of 35 U.S.C. 103(a) which forms the basis for all obviousness rejections set forth in this Office action:

(a) A patent may not be obtained though the invention is not identically disclosed or described as set forth in section 102 of this title, if the differences between the subject matter sought to be patented and the prior art are such that the subject matter as a whole would have been obvious at the time the invention was made to a person having ordinary skill in the art to which said subject matter pertains. Patentability shall not be negated by the manner in which the invention was made.

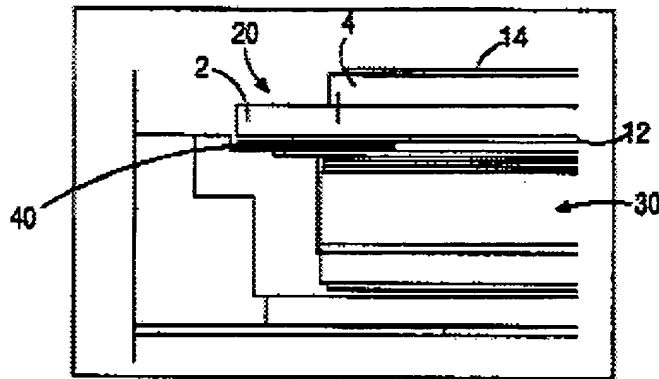
This application currently names joint inventors. In considering patentability of the claims under 35 U.S.C. 103(a), the examiner presumes that the subject matter of the various claims was commonly owned at the time any inventions covered therein were made absent any evidence to the contrary. Applicant is advised of the obligation under 37 CFR 1.56 to point out the inventor and invention dates of each claim that was not commonly owned at the time a later invention was made in order for the examiner to consider the applicability of 35 U.S.C. 103(c) and potential 35 U.S.C. 102(e), (f) or (g) prior art under 35 U.S.C. 103(a).

2. Claims 6-12 are rejected under 35 U.S.C. 103(a) as being unpatentable over Applicant's admitted prior art (APA) in view of Dingwall et al (Dingwall) USPAT 5,307,188.

As to claims 6 and 9-12, APA discloses in Figures 1-4 (Specification pages 2-4), a dot matrix (Specification, Page 2, lines 18-22) liquid crystal display (LCD) device, comprising:

Fig. 1

(Conventional Art)



an upper polarizer, 14; on an upper substrate, 4;

a lower substrate, 4, on a lower polarizer, 12;

a liquid crystal layer (not shown) disposed between the upper substrate and the lower substrate; and

a backlight device, 30, disposed opposite and adjacent to the lower polarizer for emitting light toward the lower polarizer (Figure 1) (please note that adjacent does not preclude structures between those items considered to be adjacent, e.g., two houses may be adjacent despite the existence of an intervening garage);

Art Unit: 2883

wherein at least a black pad, 40, that acts as a light shield (Applicant's light shielding layer) formed in a rectangular shape having a substantially centrally located rectangular opening resulting in light shielding layer substantially shielding exclusively the peripheral portion (evident from Specification, Page 3, lines 11-14) of the lower polarizer to permit light to pass through the rectangular opening; wherein the light shielding layer only blocks a portion of the light traveling to four peripheral sides of the lower polarizer for minimizing constructive interference at a peripheral portion of the LCD device; and wherein the light shielding film absorbs light (inherent property of the color black).

Please note that some of Applicant's newly added limitations are intended use in nature, wherein each intended use does not substantially further limiting the device claim and as such is considered met by the applied prior art.

APA does not explicitly disclose a lower polarizer that includes said light shielding film.

Dingwall teaches in Figures 2 and 3 (col. 5, lines 33-40 and col. 7, line 60 through col. 8 line 28), a liquid crystal display (LCD) device, comprising: a lower substrate, 236b, on a lower polarizer, 237b, that includes an opaque black mask, 235 (Applicant's light shielding film), to provide greater flexibility by first printing the black mask to define the image elements (or viewing area) with minimal alignment concerns to eliminate light leaks and allow the use of a true black mask rather than a gray mask to provide a true dead front (col. 5, lines 33-46).

Dingwall is evidence that ordinary workers in the art of liquid crystals would find the reason, suggestion, or motivation to add a lower polarizer that includes an opaque

Art Unit: 2883

black mask (Applicant's light shielding film) to provide greater flexibility by first printing the black mask to define the image elements (or viewing area) with minimal alignment concerns to eliminate light leaks and allow the use of a true black mask rather than a gray mask to provide a true dead front.

Therefore, it would have been obvious to one having ordinary skill in the art of liquid crystals at the time the invention was made to modify the LCD of APA with a lower polarizer that includes a light shielding film of Dingwall to provide greater flexibility by first printing the black mask to define the viewing area with minimal alignment concerns to eliminate light leaks and allow the use of a true black mask rather than a gray mask to provide a true dead front.

As to claims 7 and 8, Dingwall, as combined above, teaches (col. 8, lines 11-28) a liquid crystal display (LCD) device of claim 1, wherein the at least one opaque surround or black mask, 235, (Applicant's light shielding layer) is formed by a photographic process, by offset lithography (Applicant's coating), or by screen printing (Applicant's printed material) black mask materials that absorb the light (col. 8, lines 29-33, and col. 13, lines 25 and 26).

***Response to Arguments***

3. Applicant's arguments filed on 20 April 2005 and 20 June 2005 have been fully considered but they are not persuasive.

Applicant's ONLY substantive arguments are as follows:

(1) Regarding base claim 6, applied prior art does not teach the device as claimed.

(2) The combination of Dingwall would result in two color filters resulting in display degradation such that one of ordinary skill would not be motivated to modify APA.

(3) Dependent claims are allowable because they directly or indirectly depend from an allowable base claim.

Examiner's responses to Applicant's ONLY arguments are as follows:

(1) It is respectfully pointed out that APA provides the claimed shape and location of the light shielding layer. Dingwall was applied to teach an opaque black mask printed on a polarizer with motivation to combine per rejections above.

(2) It is respectfully pointed out that because two color filters would result in display degradation, one of ordinary skill would not be motivated to modify APA with a redundant color filter of Dingwall. Dingwall was not applied to teach two color filter layers (nor two light blocking layers). Dingwall was applied to teach an opaque black mask printed on a polarizer with motivation to combine per rejections above.



(3) It is respectfully pointed out that in so far as Applicant has not argued rejection(s) of the limitations of dependent claim(s), Applicant has acquiesced said rejection(s).

### **Conclusion**

Any inquiry concerning this communication or earlier communications from the examiner should be directed to Timothy L. Rude whose telephone number is (571) 272-2301. The examiner can normally be reached on Mon-Thurs.

If attempts to reach the examiner by telephone are unsuccessful, the examiner's supervisor, Frank G. Font can be reached on (571) 272-2415. The fax phone number for the organization where this application or proceeding is assigned is 703-872-9306.

Information regarding the status of an application may be obtained from the Patent Application Information Retrieval (PAIR) system. Status information for published applications may be obtained from either Private PAIR or Public PAIR. Status information for unpublished applications is available through Private PAIR only. For more information about the PAIR system, see <http://pair-direct.uspto.gov>. Should you have questions on access to the Private PAIR system, contact the Electronic Business Center (EBC) at 866-217-9197 (toll-free).



tlr

Timothy L Rude  
Examiner  
Art Unit 2883



Frank G. Font  
Supervisory Patent Examiner  
Technology Center 2800